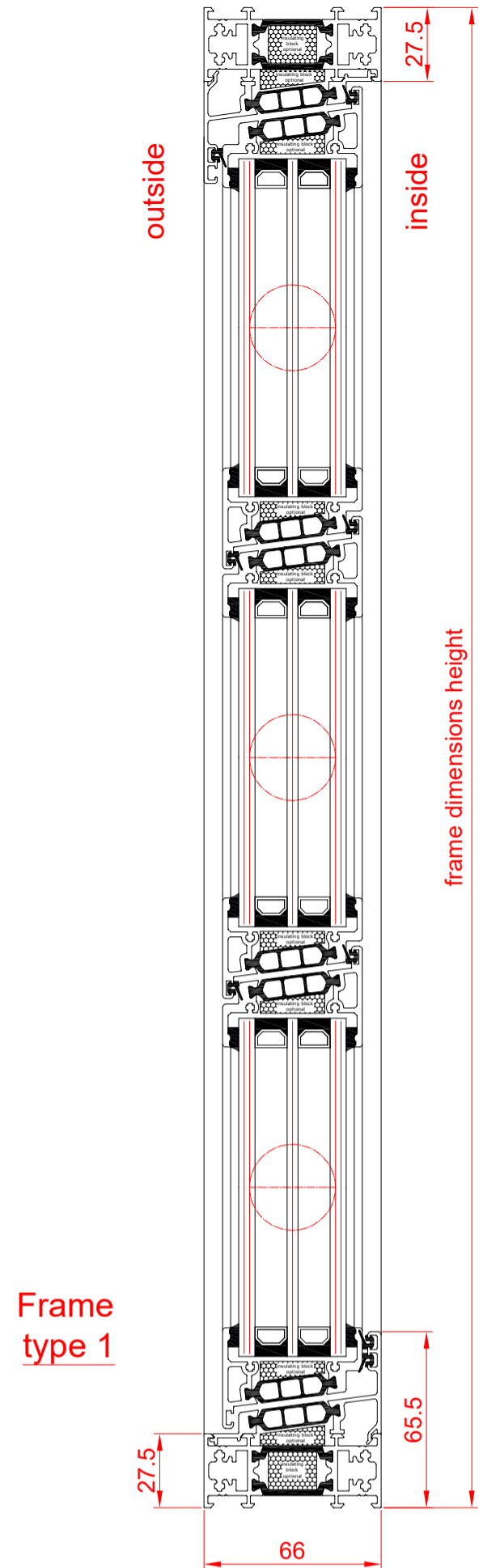


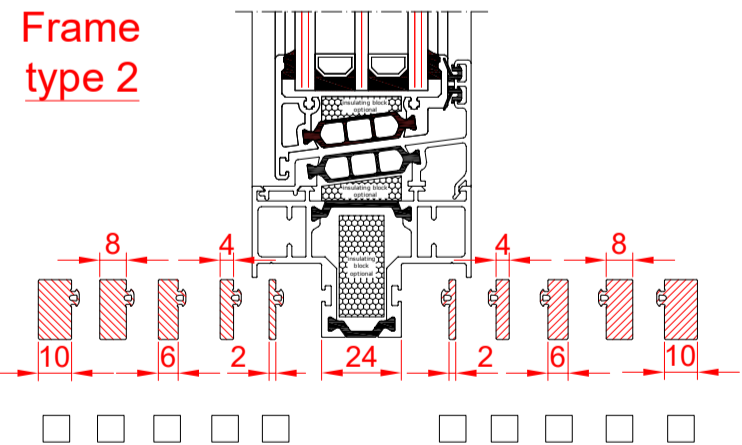
Louvre window Tairmo

status:	<input type="checkbox"/> enquiry	<input type="checkbox"/> order	ESG = Toughened glass VSG = Laminated glass	
project number:			purchase order:	
project manager:			phone number:	
desired delivery date:			date:	
project:				
delivery address:				
contact person on site:				
Pos.:	01	02	03	
no.:				
frame dimensions	width: (mm)			
	height: (mm)			
	type of frame:	<input type="checkbox"/> type 1 <input type="checkbox"/> type 2 <input type="checkbox"/> type 3 thickness: _____ mm (see detail frames)	<input type="checkbox"/> type 1 <input type="checkbox"/> type 2 <input type="checkbox"/> type 3 thickness: _____ mm (see detail frames)	<input type="checkbox"/> type 1 <input type="checkbox"/> type 2 <input type="checkbox"/> type 3 thickness: _____ mm (see detail frames)
insulating block in Profiles:	<input type="checkbox"/> with <input type="checkbox"/> without	<input type="checkbox"/> with <input type="checkbox"/> without	<input type="checkbox"/> with <input type="checkbox"/> without	
desired Uw: (U-value Louvre)	_____ W/m²K	_____ W/m²K	_____ W/m²K	
no. of blades:				
blade panel type	thickness: (mm)	40mm	40mm	40mm
	type of filling:	<input type="checkbox"/> triple glazed <input type="checkbox"/> insulated blades / U = 0,7 (1,5 AL / 37mm PUR / 1,5 AL)	<input type="checkbox"/> triple glazed <input type="checkbox"/> insulated blades / U = 0,7 (1,5 AL / 37mm PUR / 1,5 AL)	<input type="checkbox"/> triple glazed <input type="checkbox"/> insulated blades / U = 0,7 (1,5 AL / 37mm PUR / 1,5 AL)
	glass design: (outer side / air space / inner side)	<input type="checkbox"/> 6* / 12 / 4 / 12 / *6 (Argon, Ug = 0,7) <input type="checkbox"/> 4(ESG) / 14 / 4 / 14 / 4(ESG) (Argon Ug = 0,6) <input type="checkbox"/> 6* / 12 / 4 / 12 / *6 (Krypton Ug = 0,5) <input type="checkbox"/> 6** / 12 / 4 / 12 / **6 (Krypton Ug = 0,4) <input type="checkbox"/> other _____	<input type="checkbox"/> 6* / 12 / 4 / 12 / *6 (Argon, Ug = 0,7) <input type="checkbox"/> 4(ESG) / 14 / 4 / 14 / 4(ESG) (Argon Ug = 0,6) <input type="checkbox"/> 6* / 12 / 4 / 12 / *6 (Krypton Ug = 0,5) <input type="checkbox"/> 6** / 12 / 4 / 12 / **6 (Krypton Ug = 0,4) <input type="checkbox"/> other _____	<input type="checkbox"/> 6* / 12 / 4 / 12 / *6 (Argon, Ug = 0,7) <input type="checkbox"/> 4(ESG) / 14 / 4 / 14 / 4(ESG) (Argon Ug = 0,6) <input type="checkbox"/> 6* / 12 / 4 / 12 / *6 (Krypton Ug = 0,5) <input type="checkbox"/> 6** / 12 / 4 / 12 / **6 (Krypton Ug = 0,4) <input type="checkbox"/> other _____
	type of glass:			
	finish:	<input type="checkbox"/> powder coated <input type="checkbox"/> natural anodised	<input type="checkbox"/> powder coated <input type="checkbox"/> natural anodised	<input type="checkbox"/> powder coated <input type="checkbox"/> natural anodised
controls	colour supplier & colourcode:			
	type of control:	<input type="checkbox"/> manual <input type="checkbox"/> electric _____ V <input type="checkbox"/> pneumatic	<input type="checkbox"/> manual <input type="checkbox"/> electric _____ V <input type="checkbox"/> pneumatic	<input type="checkbox"/> manual <input type="checkbox"/> electric _____ V <input type="checkbox"/> pneumatic
	description:			
	cable length: (standard = 2,5m)	_____ m	_____ m	_____ m
	cable exit: (LAH 65 only)	<input type="checkbox"/> top <input type="checkbox"/> bottom <input type="checkbox"/> side through frame	<input type="checkbox"/> top <input type="checkbox"/> bottom <input type="checkbox"/> side through frame	<input type="checkbox"/> top <input type="checkbox"/> bottom <input type="checkbox"/> side through frame
control position:	<input type="checkbox"/> position A (right side) <input type="checkbox"/> position B (left side) height _____ mm	<input type="checkbox"/> position A (right side) <input type="checkbox"/> position B (left side) height _____ mm	<input type="checkbox"/> position A (right side) <input type="checkbox"/> position B (left side) height _____ mm	
fixing brackets / special adaptor:				
smoke vents CE- certified:	<input type="checkbox"/> yes <input type="checkbox"/> no	<input type="checkbox"/> yes <input type="checkbox"/> no	<input type="checkbox"/> yes <input type="checkbox"/> no	

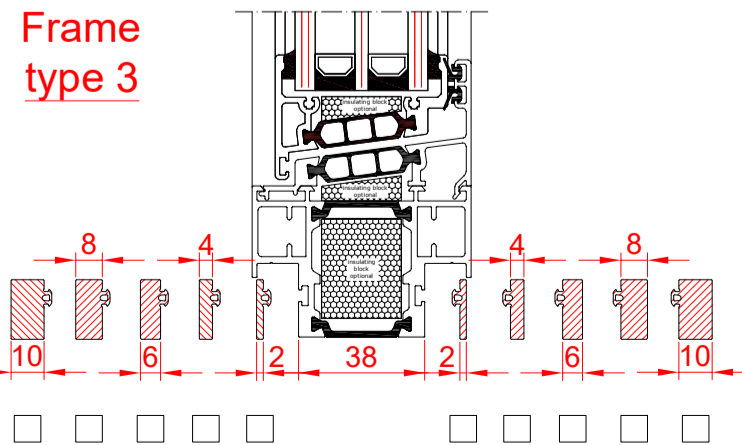


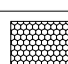
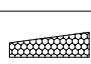
Frame type 1

Frame type 2

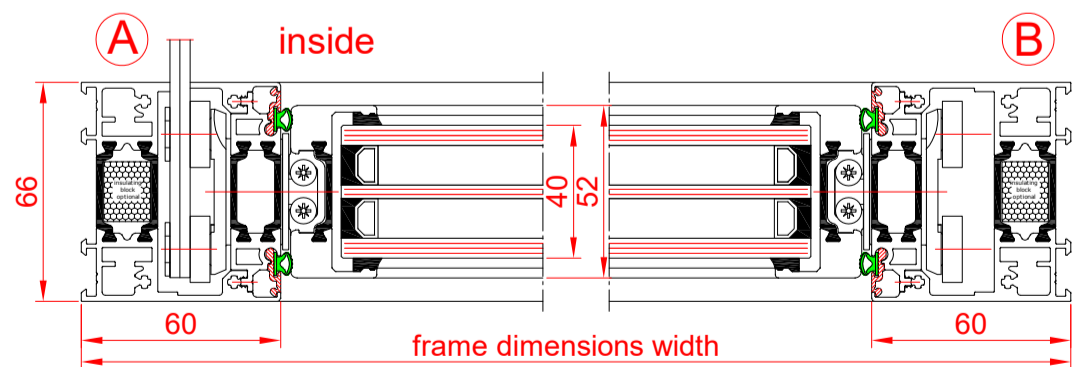


Frame type 3

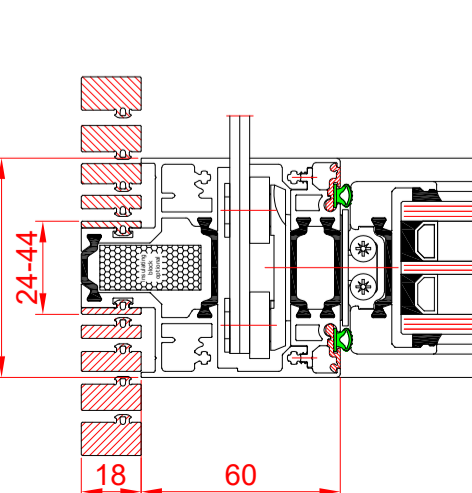


  profile insulating block optional

Frame type 1



Frame type 2



Frame type 3

