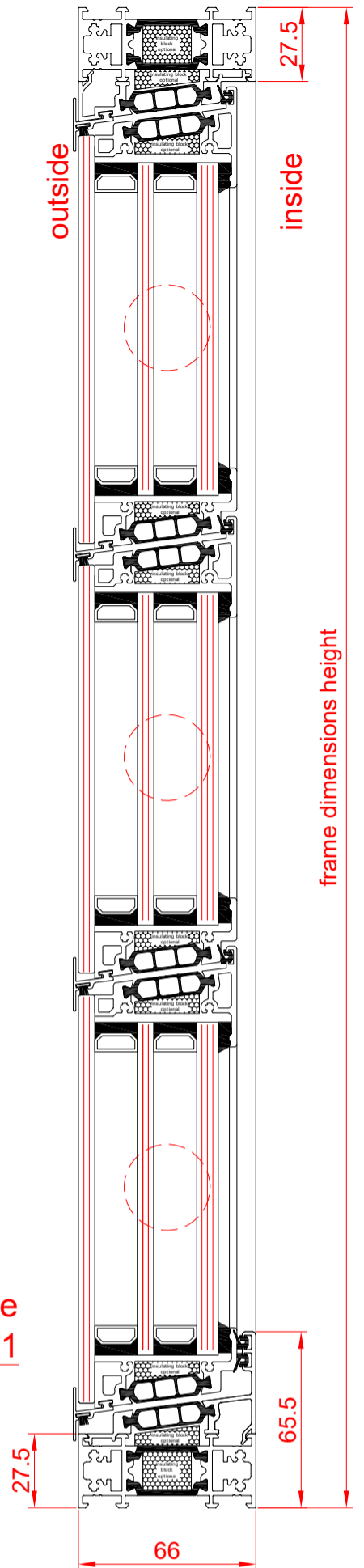


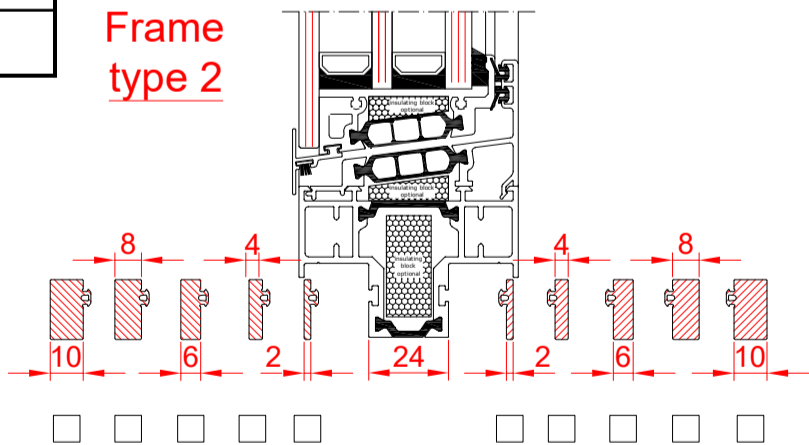
# Louvre window Tairmo-Allglass

<b>status:</b>	<input type="checkbox"/> enquiry	<input type="checkbox"/> order	ESG = Toughened glass VSG = Laminated glass	
<b>project number:</b>			<b>purchase order:</b>	
<b>project manager:</b>			<b>phone number:</b>	
<b>desired delivery date:</b>			<b>date:</b>	
<b>project:</b>				
<b>delivery address:</b>				
<b>contact person on site:</b>				
<b>Pos.:</b>	<b>01</b>	<b>02</b>	<b>03</b>	
<b>no.:</b>				
<b>frame dimensions</b>	<b>width:</b> (mm)			
	<b>height:</b> (mm)			
	<b>type of frame:</b>	<input type="checkbox"/> type 1 <input type="checkbox"/> type 2 <input type="checkbox"/> type 3 thickness: _____ mm (see detail frames)	<input type="checkbox"/> type 1 <input type="checkbox"/> type 2 <input type="checkbox"/> type 3 thickness: _____ mm (see detail frames)	<input type="checkbox"/> type 1 <input type="checkbox"/> type 2 <input type="checkbox"/> type 3 thickness: _____ mm (see detail frames)
<b>insulating block in Profiles:</b>	<input type="checkbox"/> with <input type="checkbox"/> without	<input type="checkbox"/> with <input type="checkbox"/> without	<input type="checkbox"/> with <input type="checkbox"/> without	
<b>desired Uw:</b> (U-value Louvre)	_____ W/m²K		_____ W/m²K	
<b>no. of blades:</b>				
<b>blade panel type</b>	<b>thickness:</b> (mm)	52mm	52mm	52mm
	<b>glass design:</b> (outer side / air space / inner side)	<input type="checkbox"/> 6(ESG) / 16 / 6 / 16 / 8(Float) (Argon, Ug = 0,6) <input type="checkbox"/> 6(ESG) / 16 / 6 / 16 / 8(VSG) (Argon Ug = 0,6) <input type="checkbox"/> 6(ESG) / 16 / 6 / 16 / 8(ESG) (Argon Ug = 0,6) <input type="checkbox"/> other _____	<input type="checkbox"/> 6(ESG) / 16 / 6 / 16 / 8(Float) (Argon, Ug = 0,6) <input type="checkbox"/> 6(ESG) / 16 / 6 / 16 / 8(VSG) (Argon Ug = 0,6) <input type="checkbox"/> 6(ESG) / 16 / 6 / 16 / 8(ESG) (Argon Ug = 0,6) <input type="checkbox"/> other _____	<input type="checkbox"/> 6(ESG) / 16 / 6 / 16 / 8(Float) (Argon, Ug = 0,6) <input type="checkbox"/> 6(ESG) / 16 / 6 / 16 / 8(VSG) (Argon Ug = 0,6) <input type="checkbox"/> 6(ESG) / 16 / 6 / 16 / 8(ESG) (Argon Ug = 0,6) <input type="checkbox"/> other _____
	<b>type of glass:</b>			
<b>finish</b>	<b>finish:</b>	<input type="checkbox"/> powder coated <input type="checkbox"/> natural anodised	<input type="checkbox"/> powder coated <input type="checkbox"/> natural anodised	<input type="checkbox"/> powder coated <input type="checkbox"/> natural anodised
	<b>colour supplier &amp; colourcode:</b>			
<b>controls</b>	<b>type of control:</b>	<input type="checkbox"/> manual <input type="checkbox"/> electric _____ V <input type="checkbox"/> pneumatic	<input type="checkbox"/> manual <input type="checkbox"/> electric _____ V <input type="checkbox"/> pneumatic	<input type="checkbox"/> manual <input type="checkbox"/> electric _____ V <input type="checkbox"/> pneumatic
	<b>description:</b>			
	<b>cable length:</b> (standard = 2,5m)	_____ m		_____ m
	<b>cable exit:</b> (LAH 65 only)	<input type="checkbox"/> top <input type="checkbox"/> bottom <input type="checkbox"/> side through frame	<input type="checkbox"/> top <input type="checkbox"/> bottom <input type="checkbox"/> side through frame	<input type="checkbox"/> top <input type="checkbox"/> bottom <input type="checkbox"/> side through frame
	<b>control position:</b>	<input type="checkbox"/> position A (right side) <input type="checkbox"/> position B (left side) height _____ mm	<input type="checkbox"/> position A (right side) <input type="checkbox"/> position B (left side) height _____ mm	<input type="checkbox"/> position A (right side) <input type="checkbox"/> position B (left side) height _____ mm
<b>fixing brackets / special adaptor:</b>				
<b>smoke vents CE- certified:</b>	<input type="checkbox"/> yes <input type="checkbox"/> no	<input type="checkbox"/> yes <input type="checkbox"/> no	<input type="checkbox"/> yes <input type="checkbox"/> no	

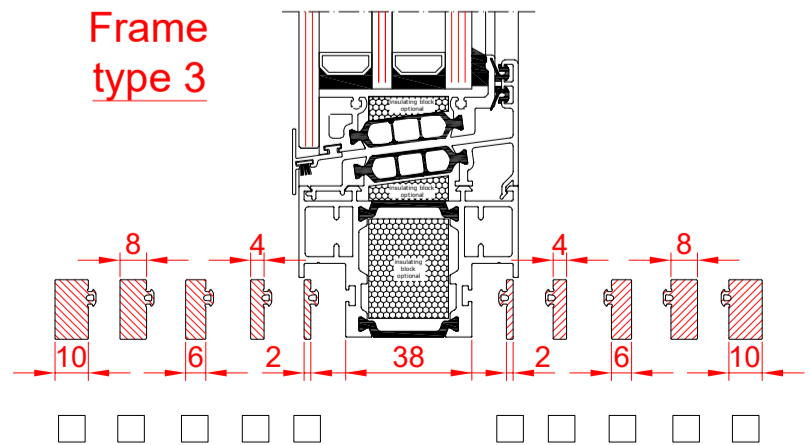


Frame type 1

Frame type 2

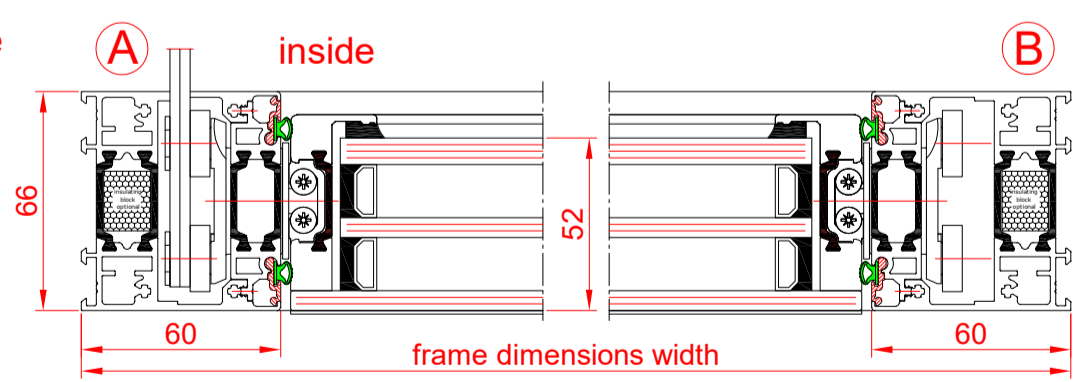


Frame type 3

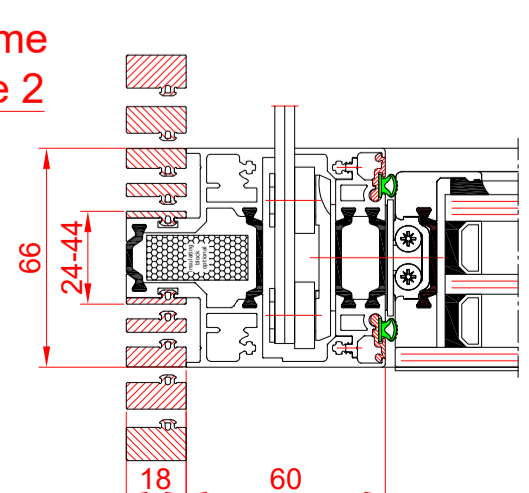


profile insulating block optional

Frame type 1



Frame type 2



Frame type 3

